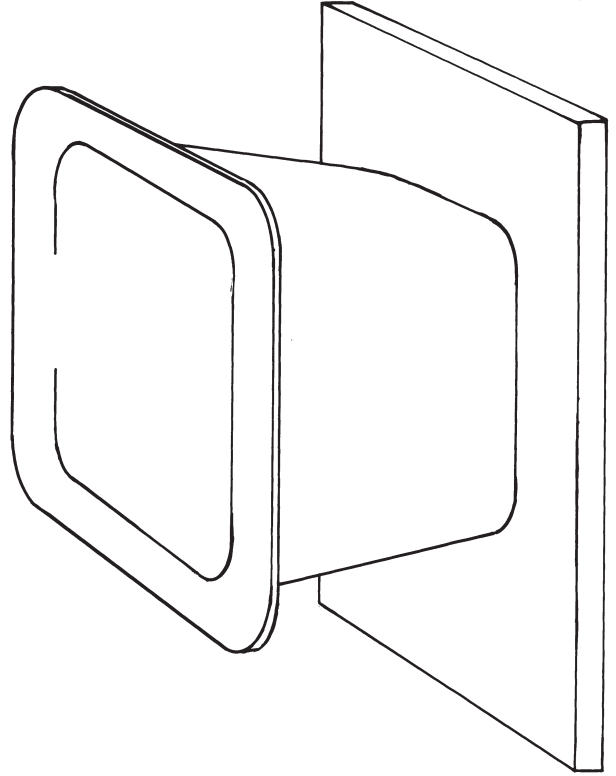
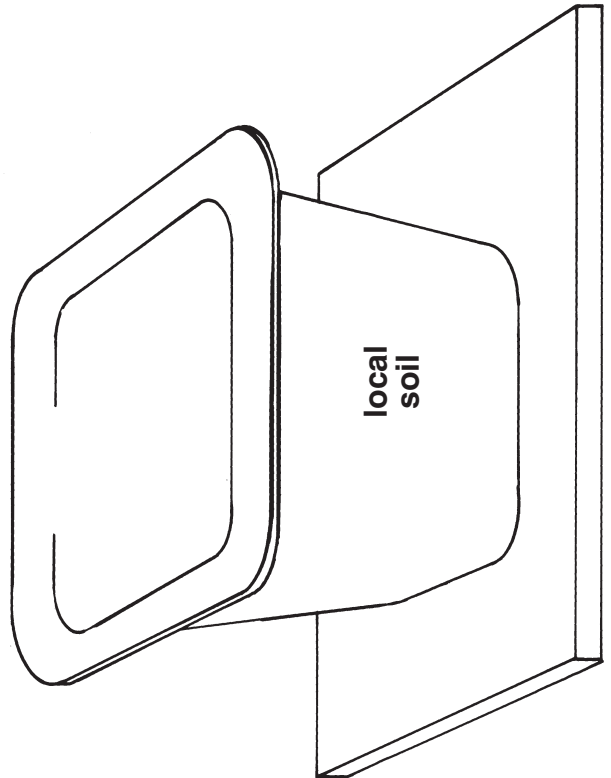

Date:



My Two Plants in Soil

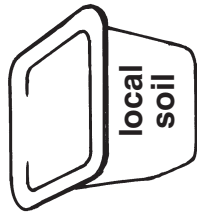
Name:

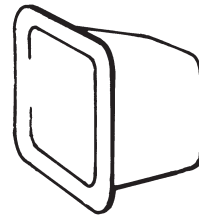
Date:



Date: _____

Write your observations.







Date: _____

Write your observations.

